

# VP130-A Series

## HD Megapixel Explosion-proof IP PTZ Dome Camera

**Infinova**<sup>®</sup>  
The Integrator's Manufacturer



- Inbuilt 33X HD integrated camera module
- 1/2.8" progressive scanning CMOS sensor
- ICR infrared filter type automatic switch to realize true day/night surveillance
- Starlight-level ultra-low illumination
- Supports multi-frame composite pattern wide dynamic and the maximum dynamic range is 132dB
- HD network video output: 1920x1080@60fps
- Features smart functions and achieves border protection (wire cross and intrusion detection supported)
- Supports intelligent tracking
- H.265+M-JPEG or H.264+M-JPEG video encoding, three video streams
- Supports dual SD card
- Supports alarm recording and snapshot
- 2 alarm inputs and 1 alarm output
- Supports motion detection, up to 4 areas
- Supports multiple ways to trigger alarms, such as I/O input, motion detection, intelligent analysis, SD card removal, network disconnection, heartbeat loss, etc.; supports flexible alarm associated configurations, such as I/O output, email, FTP uploading, audio and SD card snapshot and recording
- Supports Region of Interest (ROI), up to 8 regions
- Allows multiple users to perform live access and parameters settings via Web Server
- Supports preset, autopan, pattern, autoscan, time tour, normal tour, home return, etc.
- Compatible with Infinova's digital video surveillance software and convenient to integrate with other video surveillance software

- Supports ONVIF Profile S & Profile G
- Provides standard SDK, easy to integrate with third platform
- Supports RS485 control
- Ex d IIC T6 Gb /Ex tD A21 IP68 T80°C
- Optional with 304/316 stainless steel, IP68 rating
- Use in flammable and explosive hazardous areas

VP130-A Series HD Megapixel Explosion-proof IP PTZ Dome Camera is advanced explosion-proof surveillance equipment. It has the advantages of both traditional explosion-proof facilities and smart dome cameras, featuring good-looking appearance, lightweight and flexible, easy operation, etc. The security is ensured while the usability of the explosion-proof monitoring device is increased dramatically. The product can be used independently in indoor environment where combustible and explosive gas is available.

VP130-A Series HD Megapixel Explosion-proof IP PTZ Dome provides users a set of full digital, high-definition, high frame rate and high SNR real-time images acquisition system.

VP130-A Series is high definition smart IP dome camera that supports 1920x1080@60fps HD network video output. It adopts H.265/H.264/M-JPEG encoding and its output provides excellent definition and color revivification degree which enables the acquisition of rich and accurate details so as to effectively guarantee smart analysis accuracy.

VP130-A Series IP PTZ Domes facilitate setup and operation via Web interface by using mouse. Under PTZ control status, it has the features of zoom area and image PTZ control.

## Technical specifications

### Lens

Optical Zoom	33X
Image Sensor	1/2.8" Sony progressive scanning CMOS sensor
Iris control	Auto/Manual
Focal Length	F1.6~F5.5, f=4.6~152mm
Focus control	Auto/Manual
Angle of View	62.3° (wide) ~ 1.89° (tele)
Min. Work Distance	0.01m (Wide) ~ 1.5m (Tele)
S/N Ratio	>62dB
Shutter	Auto, Manual (adjustment range 1/1-1/32000s)
DSS	Available
Day/Night Switch	ICR
Sensitivity	Color mode: 0.001lux @F1.6 (AGC ON) B/W mode: 0.0001lux @F1.6 (AGC ON)

### Video

Compression	H.265 /H.264 switchable M-JPEG independent encoding
Encoding Capability	1080P@60fps

### Camera

White Balance	Auto/Manual/Outdoor
WDR	Supports multi-frame composite pattern wide dynamic with a range up to 132dB
Video Adjustment	Brightness, contrast, saturation, chroma, sharpness
Noise Reduction	3D
Defog	Available
EIS/ BLC /HLC	Available
Mirror	Horizontal, vertical
Privacy Mask	Up to 4 privacy regions
Motion detection	Up to 4 detection regions
ROI	Up to 8 regions
Smart Video Analysis	Wire cross, area intrusion
Intelligent Tracking	Rule-triggered tracking and manual-triggered tracking

### Storage

Inbuilt	Supports dual cards, compatible with Micro SD/SDHC/SDXC card (single card up to 256G)
---------	---

### Alarm

Port	2 alarm inputs, 1 on /off output
Input	I/O input, motion detection, intelligent analysis, SD card removal, network disconnection, heartbeat loss
Association	I/O output, email, FTP picture uploading, audio, SD card recording and SD card snapshot

### PTZ Functions

Preset	1024
Pattern	12
Autopan	12
Normal Tour	16 groups (each tour can link to 14 actions from which can be selected among Presets 1~32, Patterns 1~4 and Autopan 1~4)
Home Return	Available
Timing Tour	Available
Autoscan	Available
Area Zoom	Available

### System Functions

Operating System	Windows XP, Win7, Win8
------------------	------------------------

Browser	IE7, IE8, IE9, IE10, IE11
Access Protocol	ONVIF2.4, CGI
Web Server	Available
Remote Upgrade	Available
Password Protection	Available
IP filter	Available
RS485 Port	Supports 1*RS485

### IP

Port	1*RJ45 10/100M self-adaptive Ethernet port
Protocol	IPv6, TCP, UDP, IGMP, DHCP, FTP, SNMP, SMTP, NTP, RTP, RTSP, RTCP, HTTP, HTTPS, TSL, SSL, QoS, PPPoE, DNS, DDNS, ARP, ICMP, UPnP, IP filter

### Mechanical

Manual Horizontal Speed	0.01° ~800°/s
Manual Vertical Speed	0.01° ~240°/s
Preset Speed	Up to 500°/s
Horizontal Scan Angle	360° continuous scanning
Vertical Scan Angle	8° ~ 90° (auto-flip)
Preset Accuracy	<±0.1°

### Electrical

Electric Motor	Stepping motor
Power Supply	24VAC (±35%) / 24VDC (±30%) self-adaptive
Power	24VAC: 35W (outdoor) 24VDC: 33W (outdoor)

### Reliability

Anti-Static	Contact protection 7KV, Air discharge 9KV
Surge Protection	6KV
Rating	IP 68

### Environmental

Atmospheric Pressure	86kpa~110kpa
Operating Temperature	-40°F ~ +158°C (-40°C ~ +70°C) (outdoor)
Operating Humidity	0 ~ 95%RH (non-condensing)

Application Field	For Division 1 and 2 hazardous locations where fire or explosion hazards may exist due to the presence of flammable gases or vapors (Gas Groups: II A, II B, II C; Temperature Classes: T1-T6); For zone 21 and 22 hazardous locations where combustible dust clouds may occur
-------------------	---

### Physical

Material	304/316 stainless steel
Mounting	Wall mount, Pendant mount
Product Dimension (L×W×H)	12.19" × 9.37" × 15.12" (309.5mm × 238mm × 384mm)
Net Weight	26.46lbs (12kg)

### Certifications and Approval

Product Certifications	CNEx, Ex d IIC T6 Gb /Ex tD A21 IP68 T80°C <sup>1</sup> , IECEX, Ex db IIC T6 Gb, Ex tb IIC T80°C Db <sup>2</sup> , ISO 9001:2008
------------------------	---

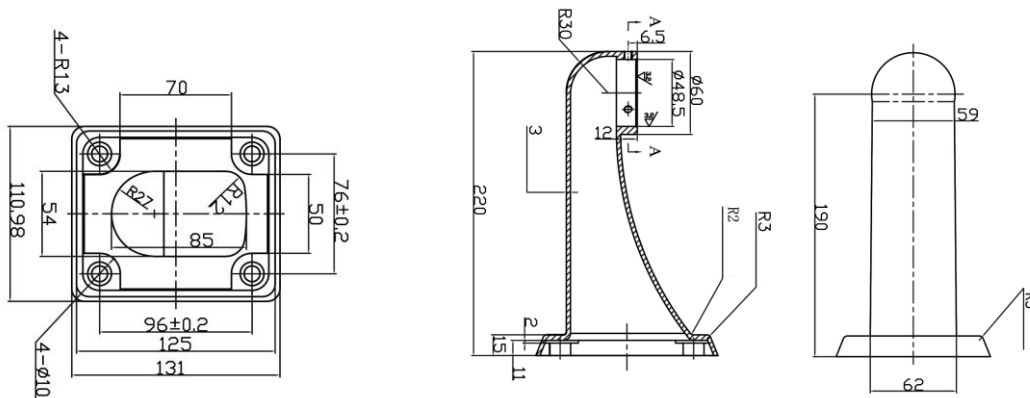
Certificate No.: <sup>1</sup> CNEx 15.1546X; <sup>2</sup> IECEX CQM 17.0025X;

## Ordering information

VP130-A220C761	HD Megapixel Explosion-proof IP PTZ Dome, Starlight, WDR, Intelligent, 2.0M,33X, 1/2.8"CMOS, Day/Night, H.265/H.264/MJPEG, with wall mounted bracket, 24VDC/24VAC, 304 stainless steel
VP130-A220C762	HD Megapixel Explosion-proof IP PTZ Dome, Starlight, WDR, Intelligent, 2.0M,33X, 1/2.8"CMOS,Day/Night, H.265/H.264/MJPEG, with wall mounted bracket, 24VDC/24VAC, 316 stainless steel
VP130-A220C771	HD Megapixel Explosion-proof IP PTZ Dome, Starlight, WDR, Intelligent, 2.0M,33X, 1/2.8"CMOS,Day/Night, H.265/H.264/MJPEG, with lifting bracket, 24VDC/24VAC, 304 stainless steel
VP130-A220C772	HD Megapixel Explosion-proof IP PTZ Dome, Starlight, WDR, Intelligent, 2.0M,33X, 1/2.8"CMOS,Day/Night, H.265/H.264/MJPEG, with lifting bracket, 24VDC/24VAC, 316 stainless steel

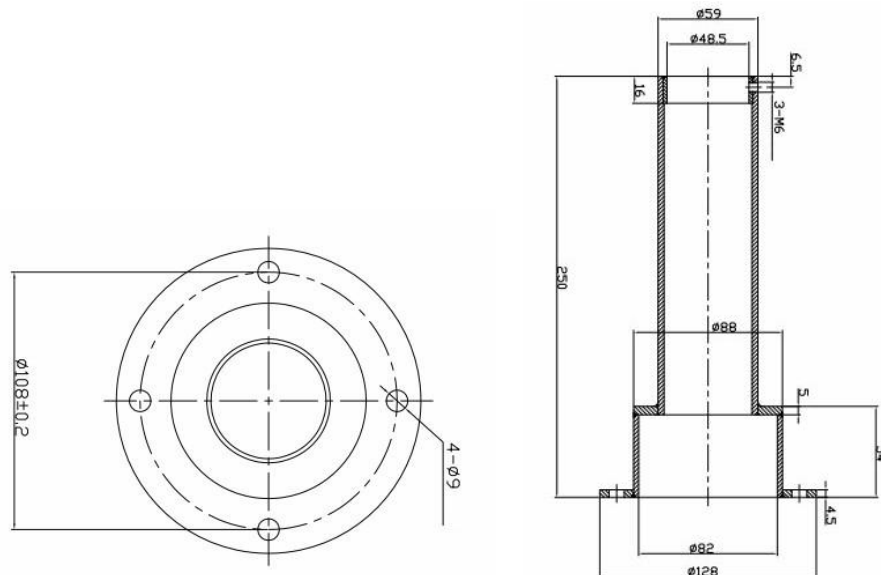
**Notes:** VP130's pigtail cable only includes power input, RS485, network output, GND, 2-ch alarm input and 1-ch alarm output. The pigtail cable is about 1.16m (from the top of dome camera to the end of the pigtail cable). Customers have to prepare the explosion-proof cable-protecting pipe. Please make sure that the length of the pipe satisfies the location needs.

## Wall mounting bracket



(Unit: mm)

## Pendant mounting bracket



(Unit: mm)